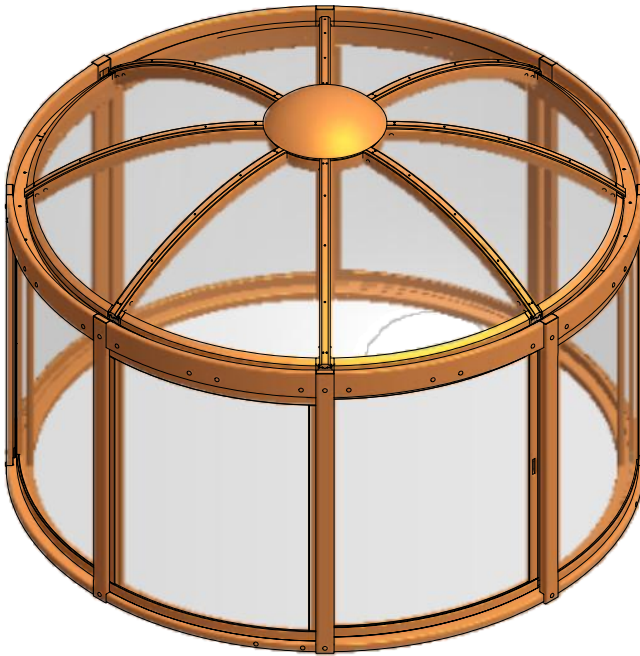


# Jagram-Pro S.A.



## BALNEO 4.3

L = 422 cm

W = 422 cm

H = 300 cm

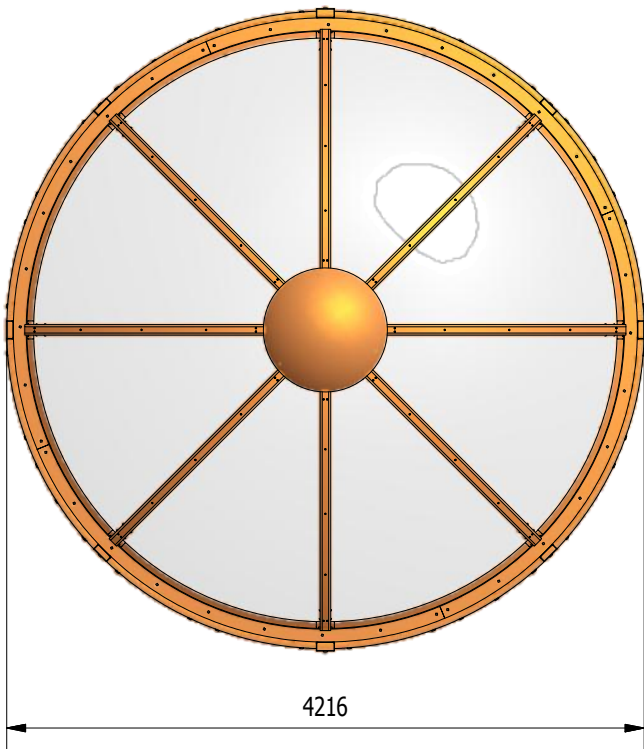
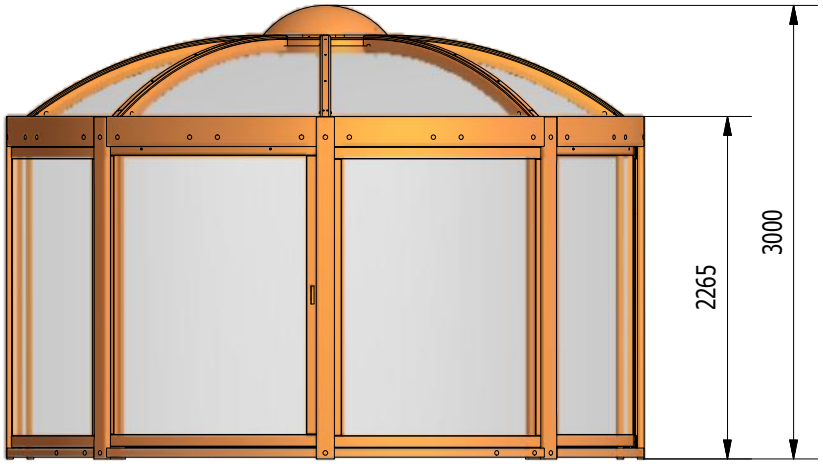
**Jagram-Pro S.A.**

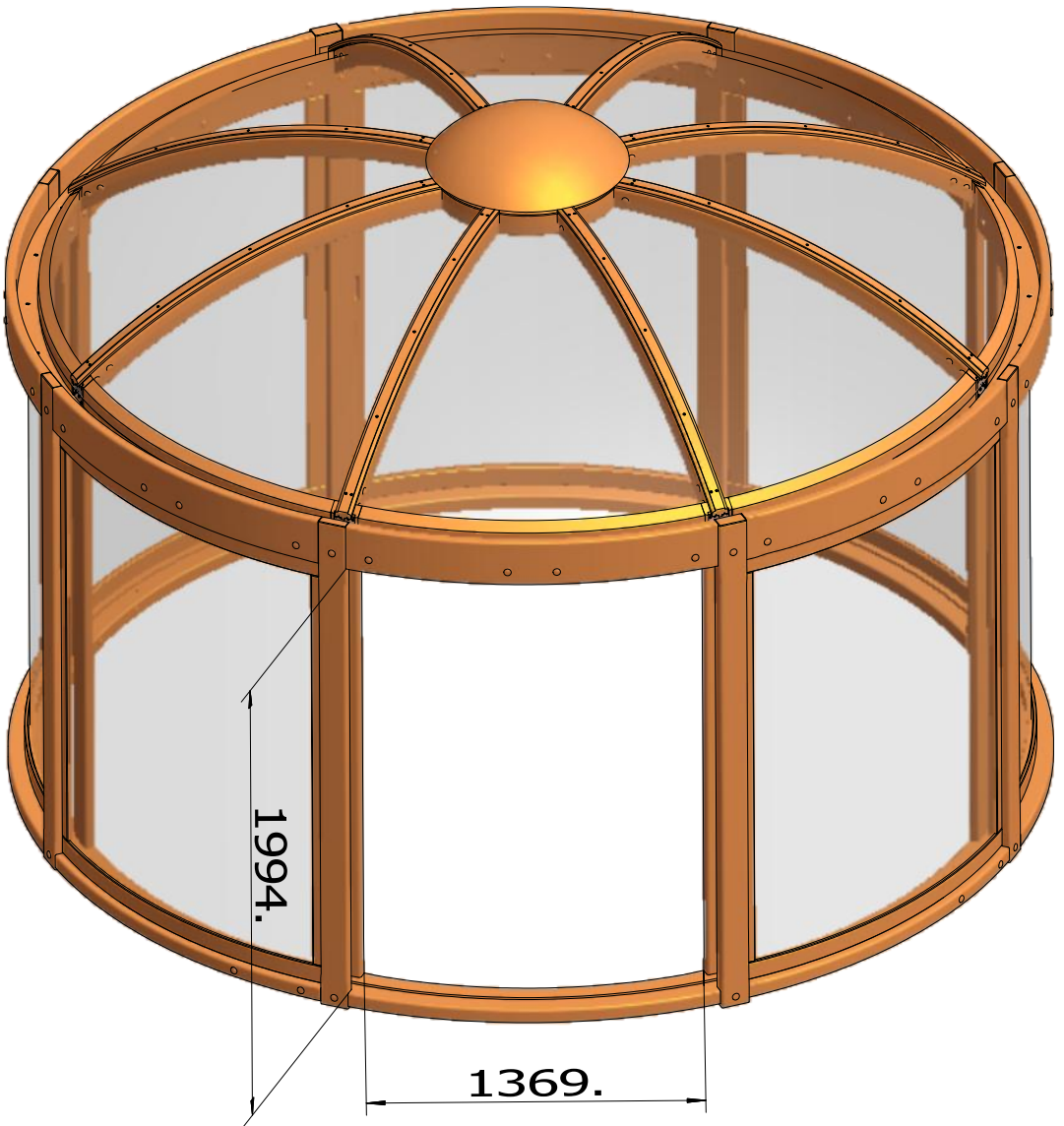
ul. Leśna 16 14-240 Susz POLAND

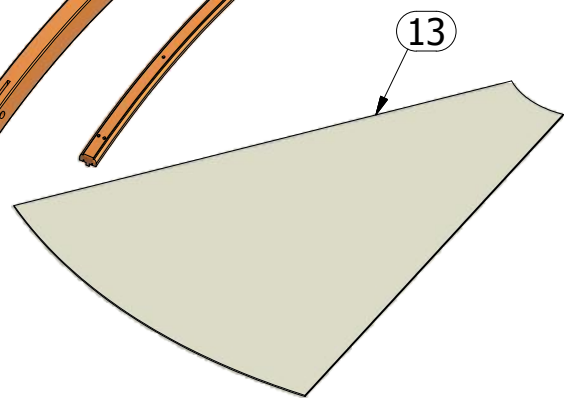
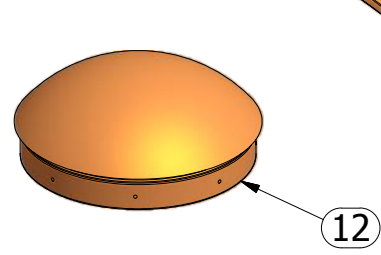
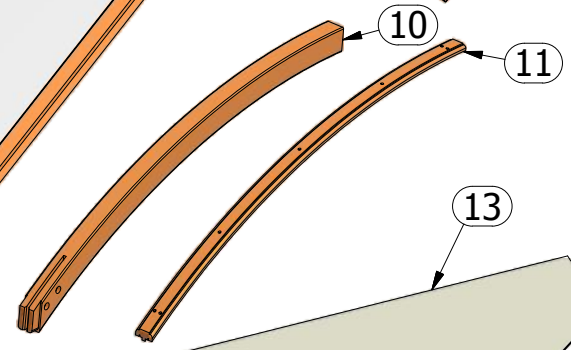
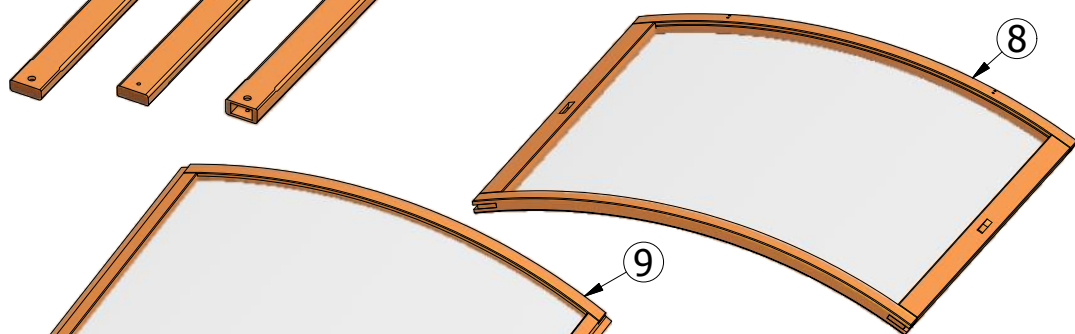
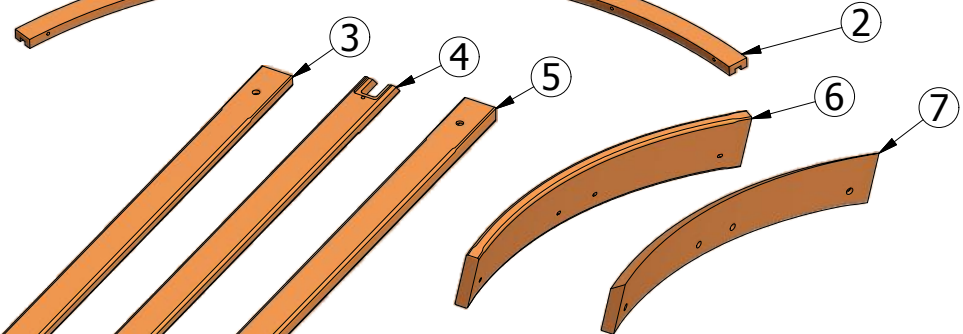
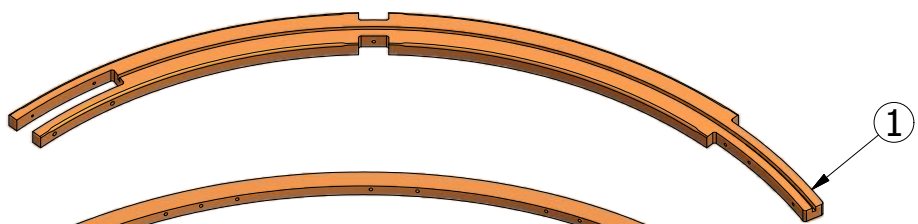
tel. +48 55 2788497 fax +48 55 2786051

marketing@jagram.pl marketing@woodandarch.com

<http://www.woodandarch.com/>

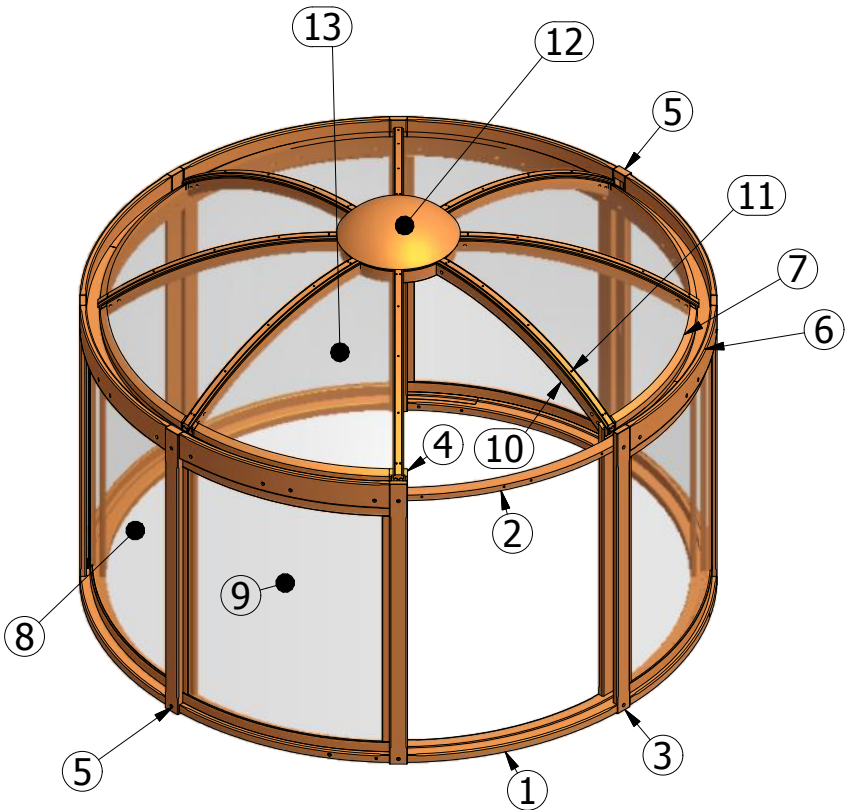


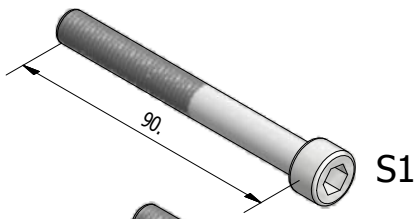




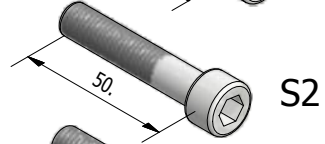
# PARTS LIST

PART NU	QUAN	PART NAME
1	4	ARCH 60x178x3306 Rw1930
2	4	ARCH 44x90x2919 Rw1974
3	6	POST 44x120x2265A
4	8	POST 44x120x2265B
5	2	POST 60x120x2265
6	8	ARCH 44x199x1502 Rw2064
7	8	ARCH 44 199x1399 Rw1930
8	4	GLASS DOOR 44x1540x2005 Rw1997
9	4	GLASS CASE 28x1540x1990 Rw2048
10	8	ARCH 70x90x1711 Rw2400
11	8	ARCH 70x28x1711 Rw2490
12	1	COPULA 196x820
13	8	GLASS FOR COPULA

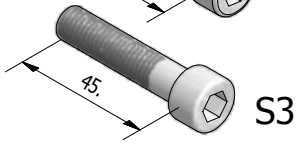




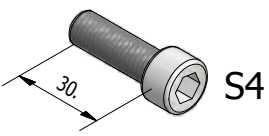
S1



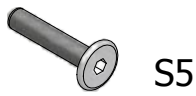
S2



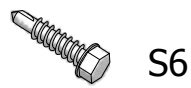
S3



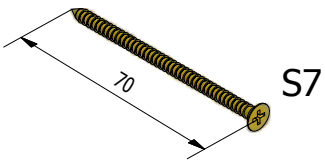
S4



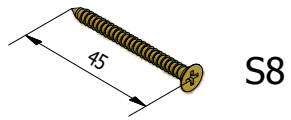
S5



S6



S7



S8



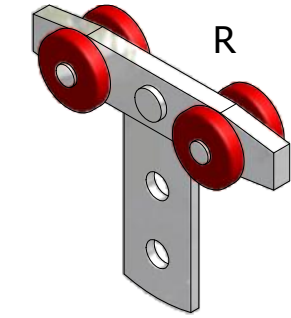
G



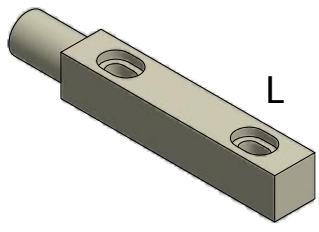
N1



N2



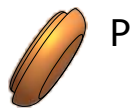
R



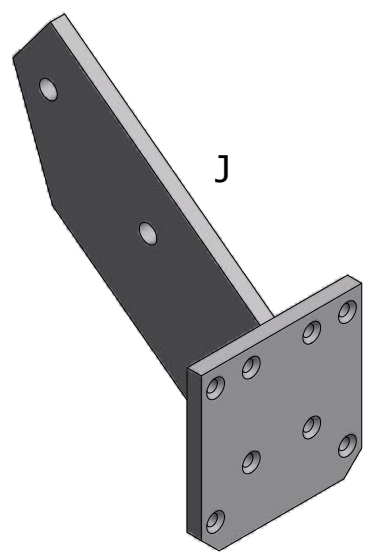
L



C

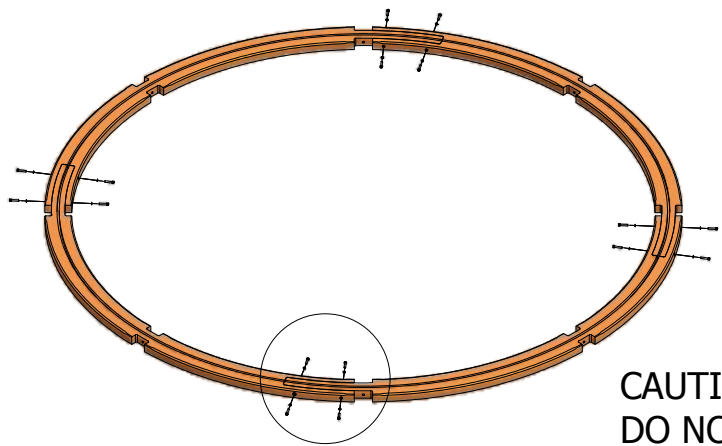
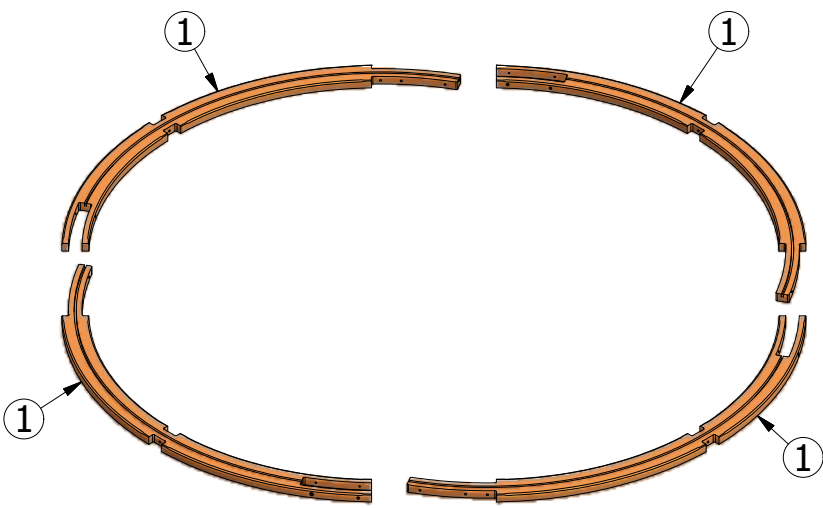


P

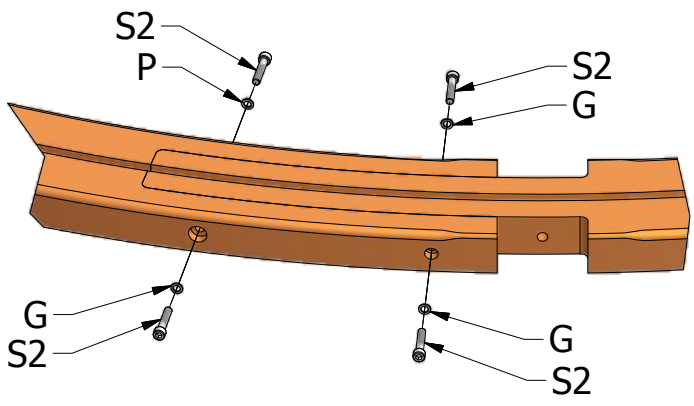


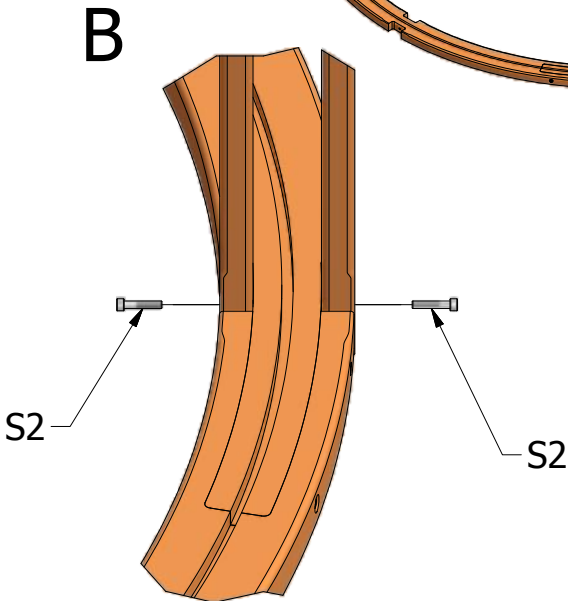
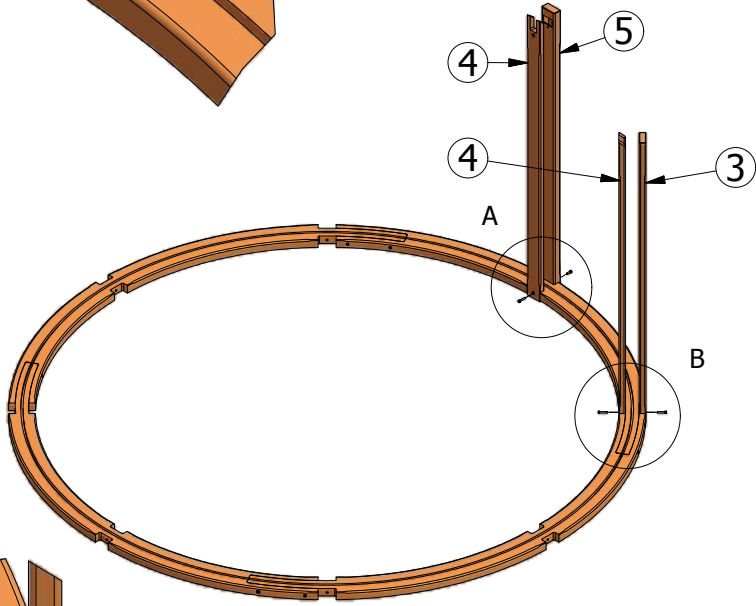
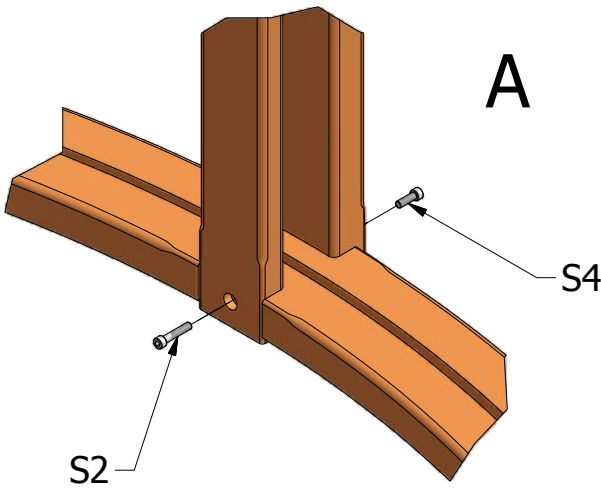
J

PARTS LIST	
SYMBOL	QUANTITY
S1	8
S2	108
S3	16
S4	4
S5	16
S6	56
S7	56
S8	56
G	120
N1	16
N2	16
R	8
L	8
C	8
P	160
J	8



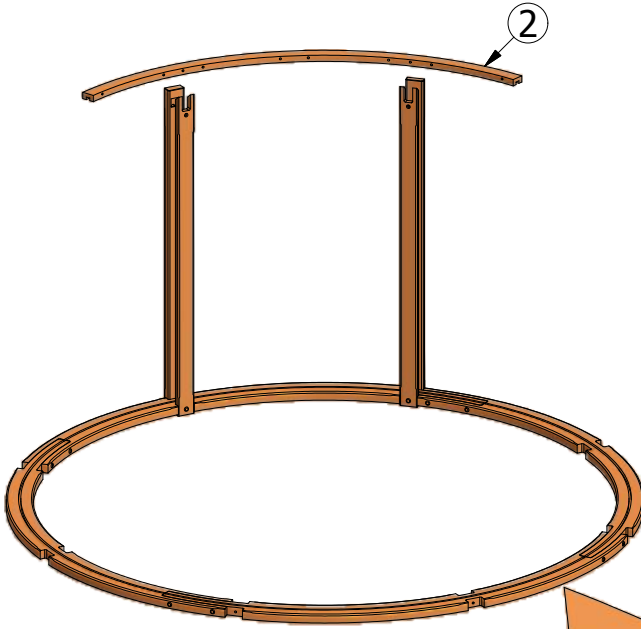
**CAUTION!**  
DO NOT TIGHTEN  
THE BOLTS



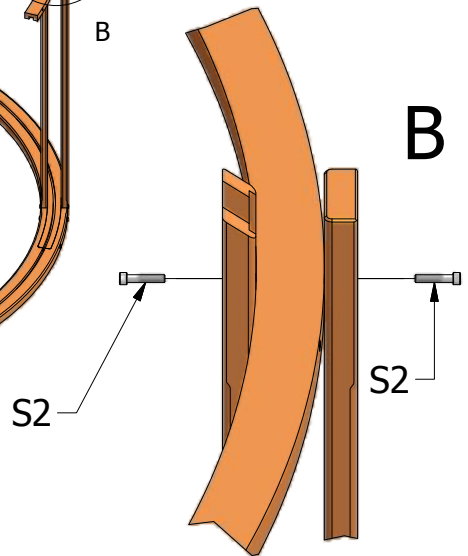
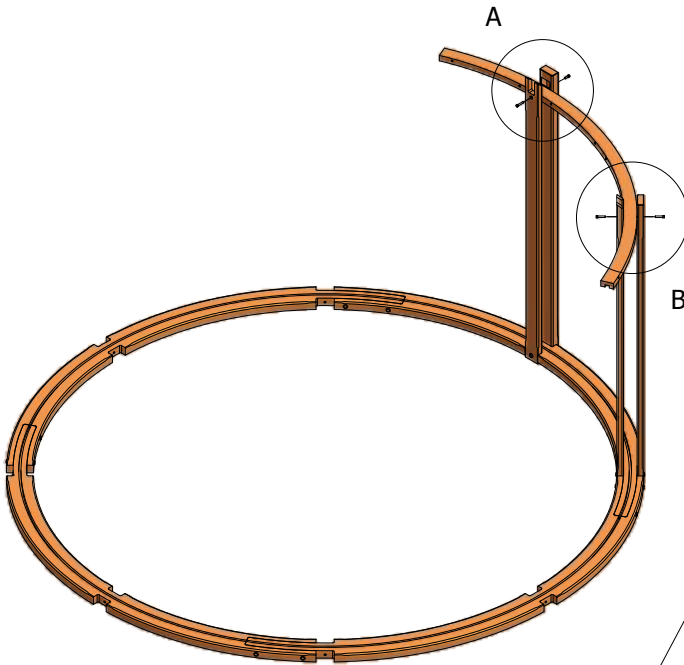
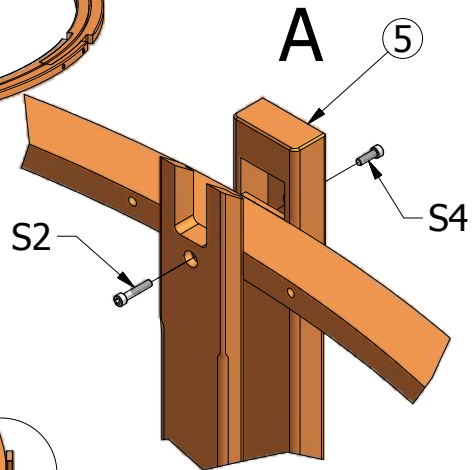


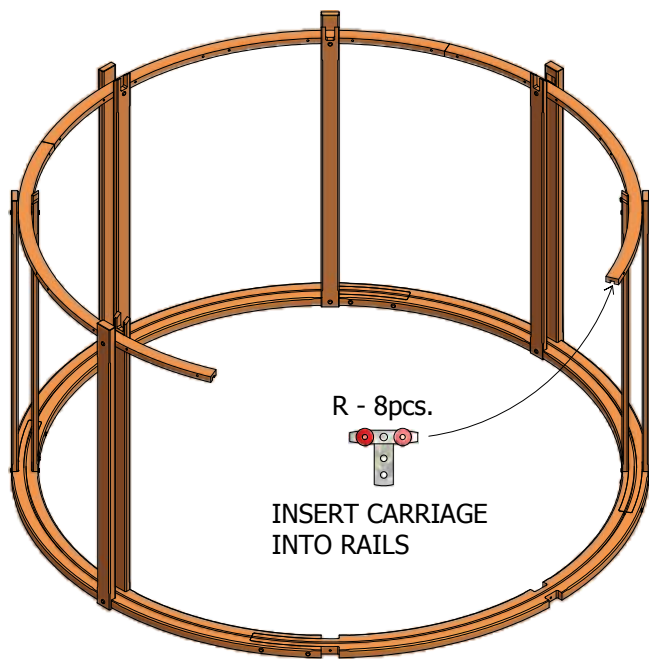
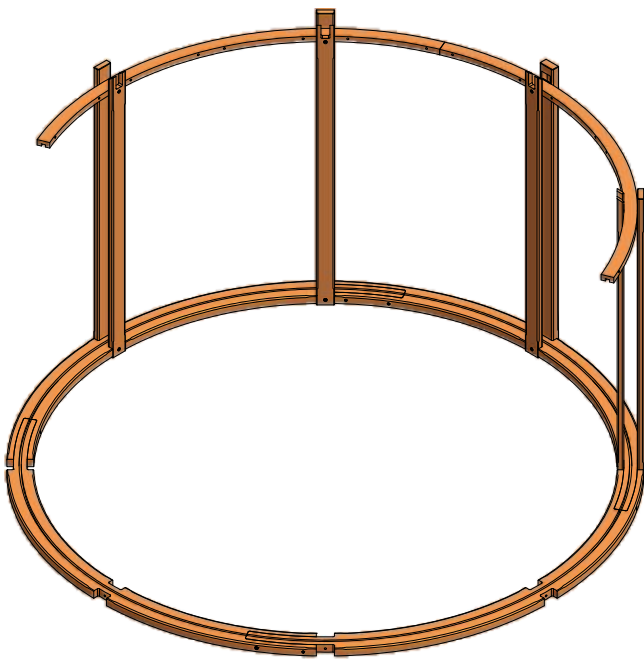
**CAUTION!**  
DO NOT TIGHTEN  
THE BOLTS

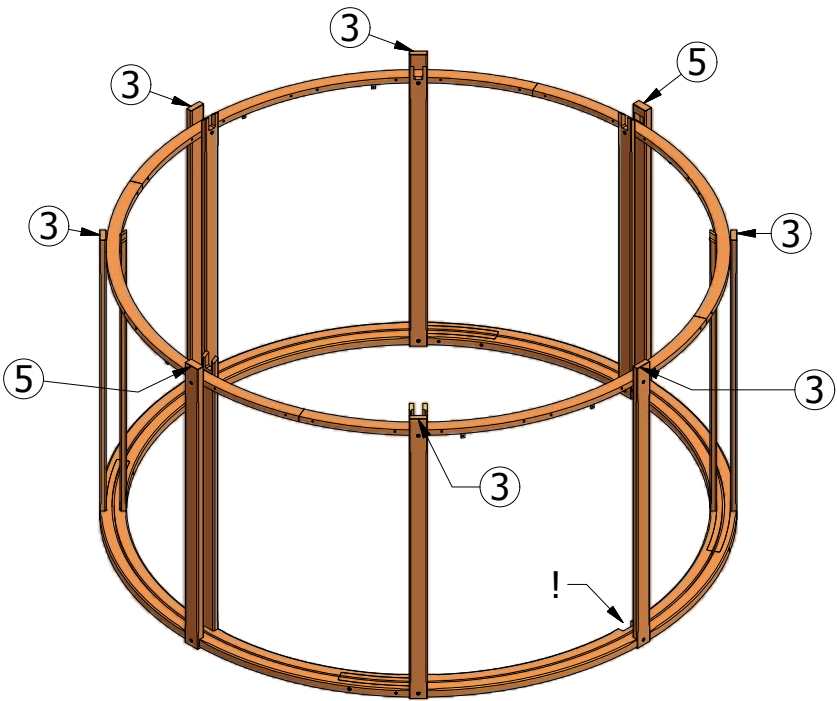


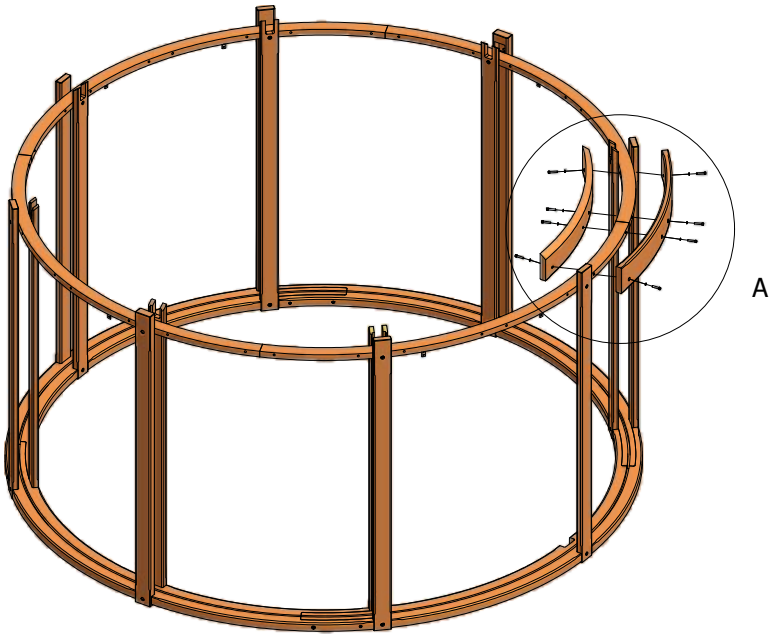


CAUTION!  
DO NOT TIGHTEN  
THE BOLTS

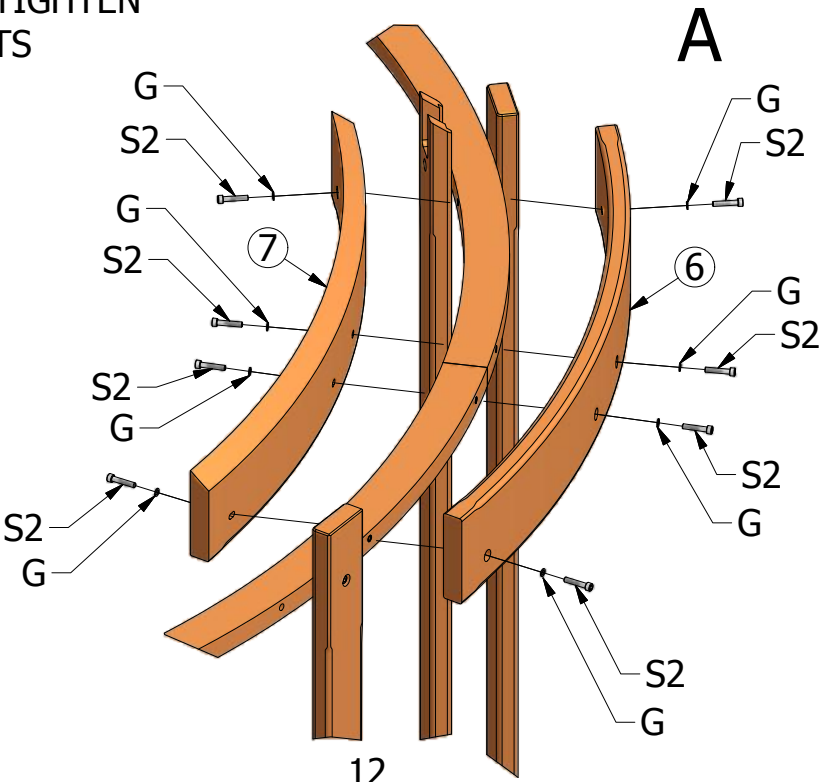


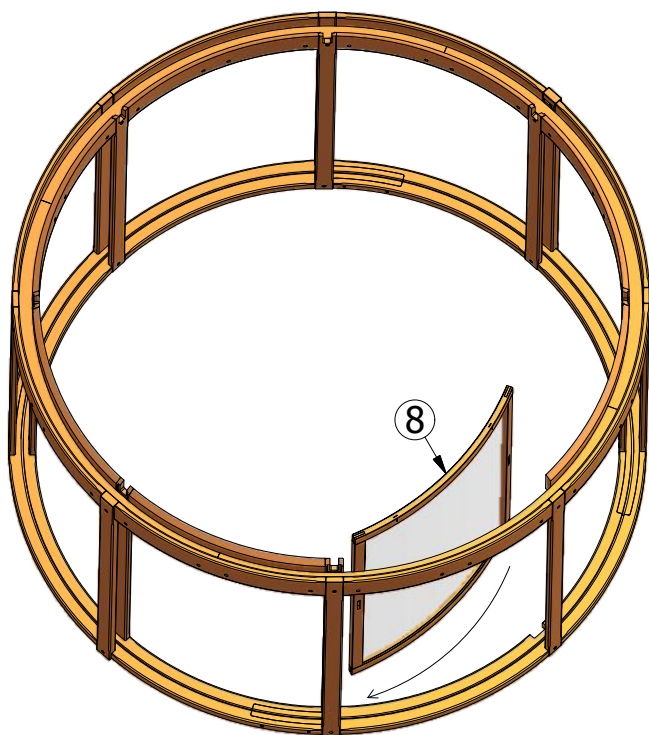
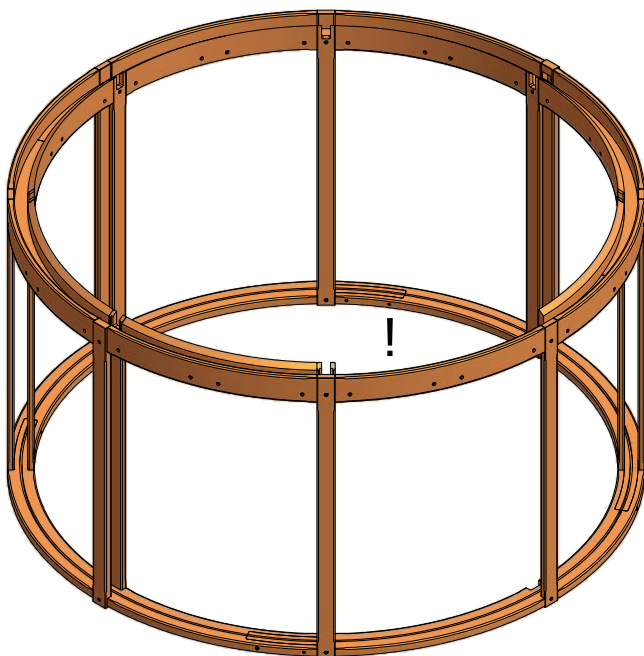


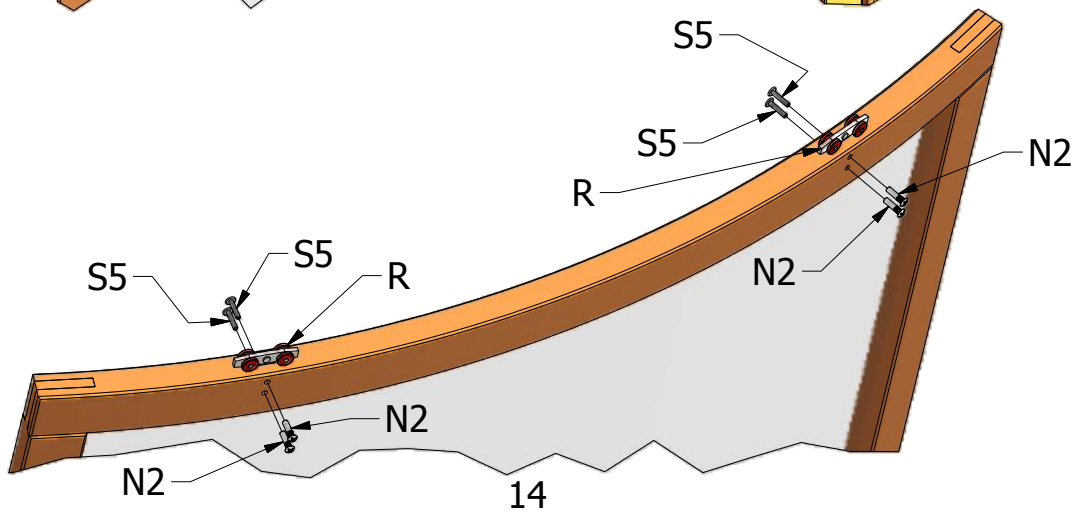
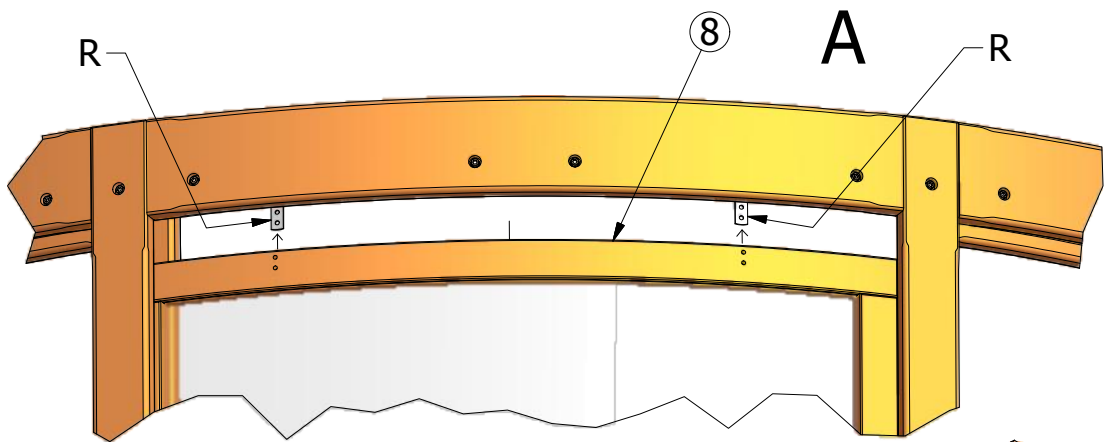
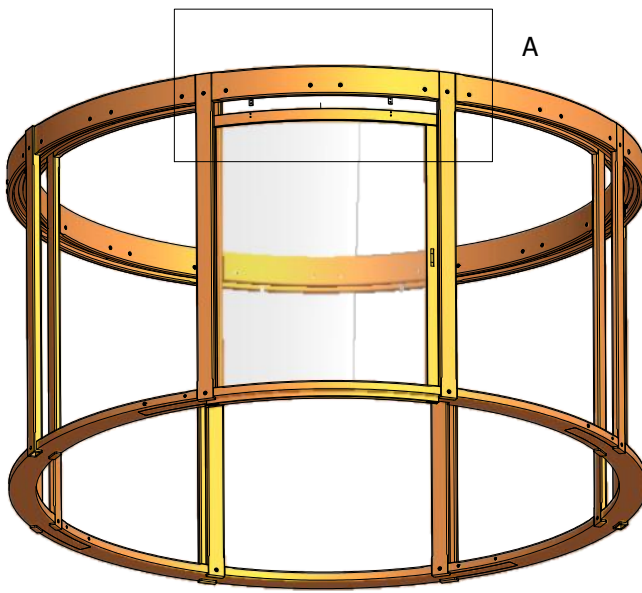


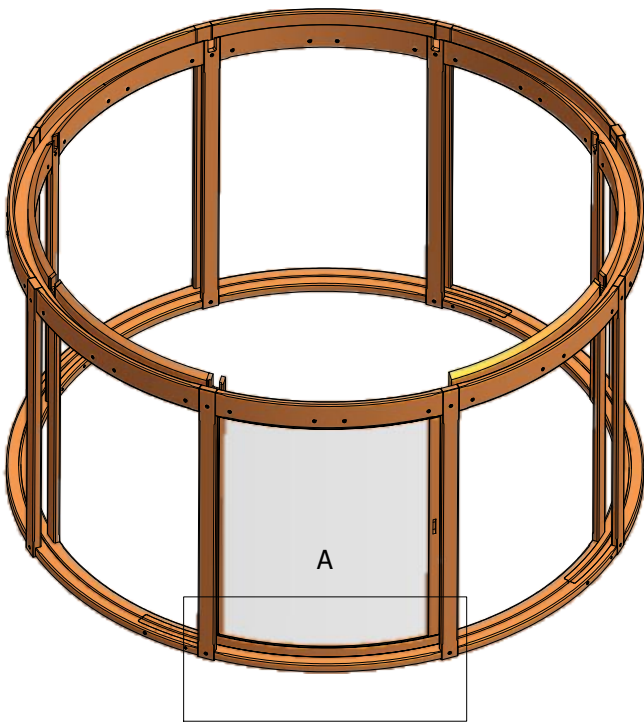


**CAUTION!**  
DO NOT TIGHTEN  
THE BOLTS

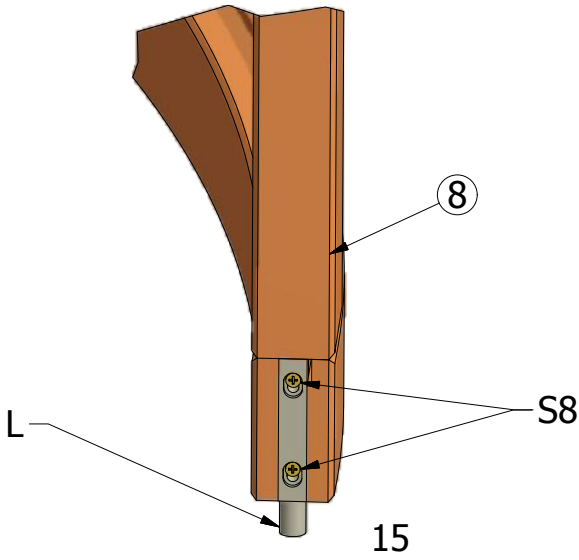
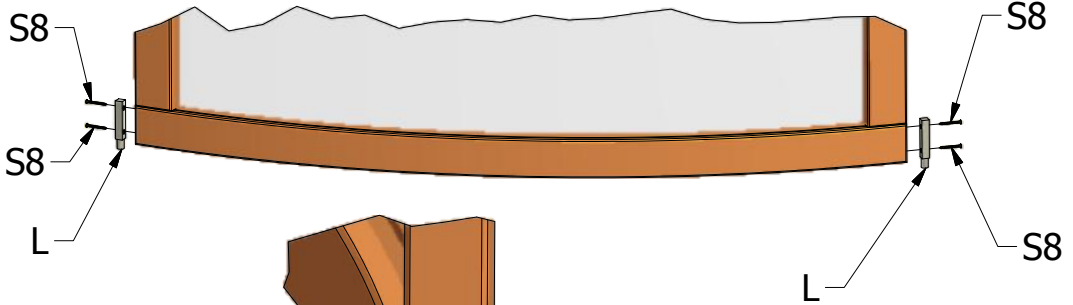


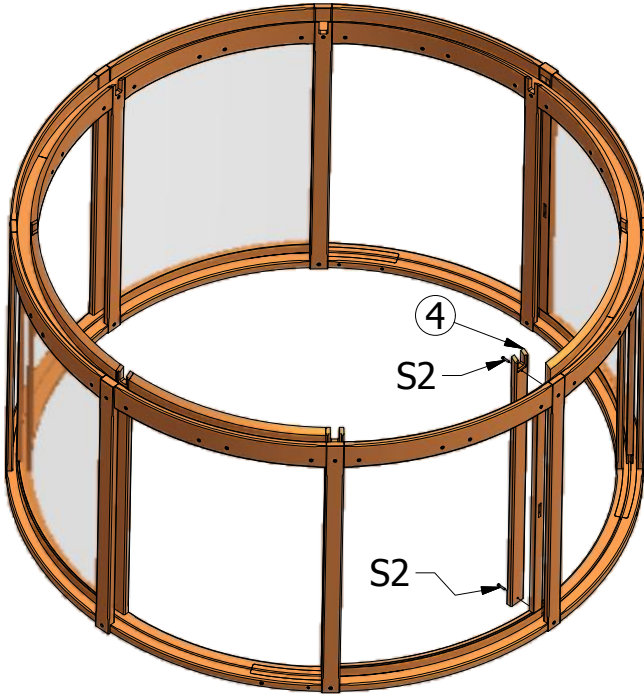
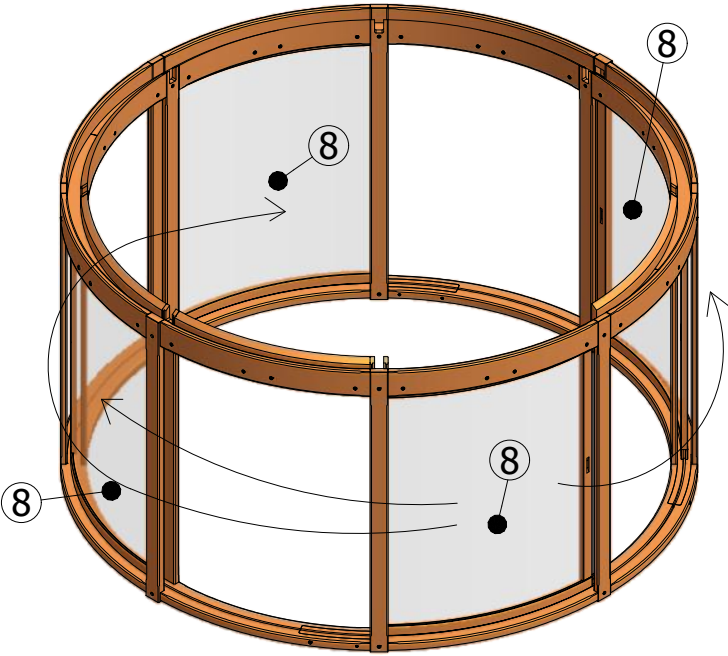




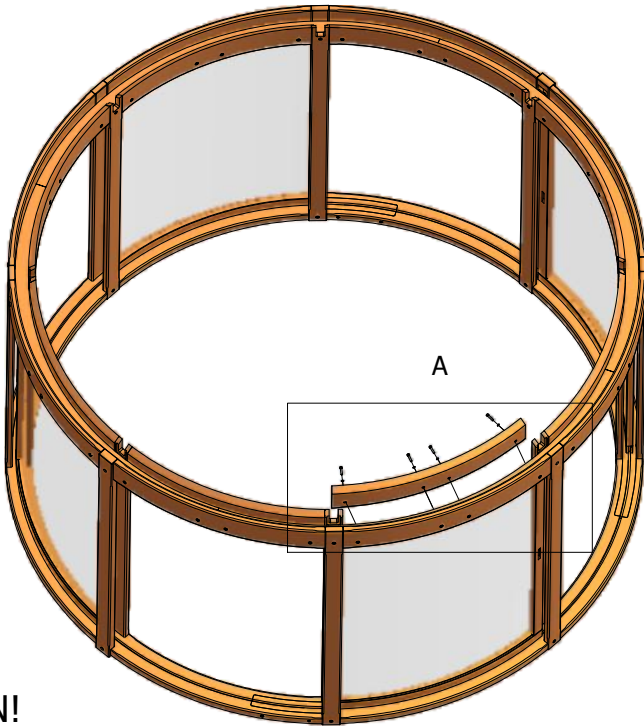


A

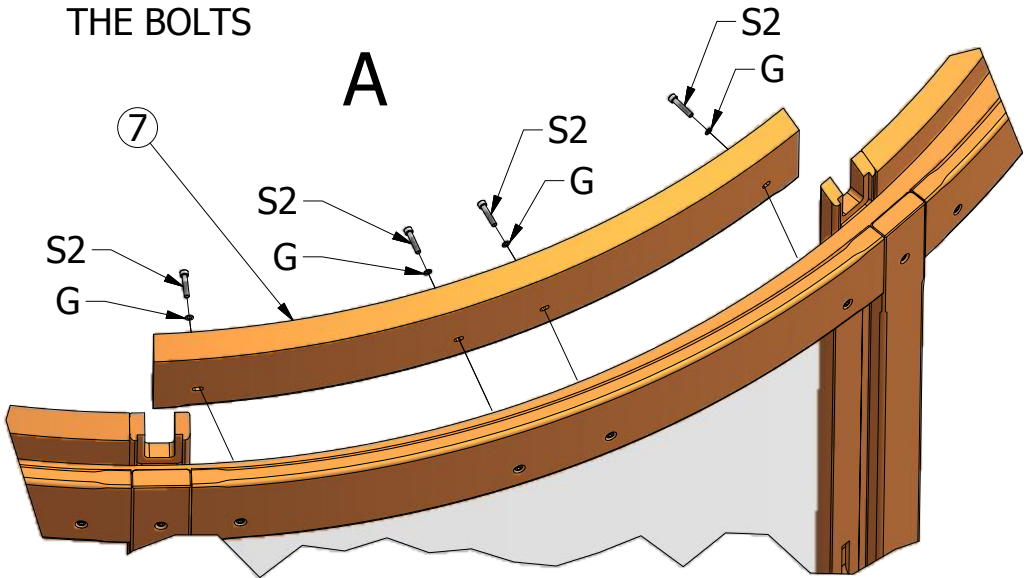


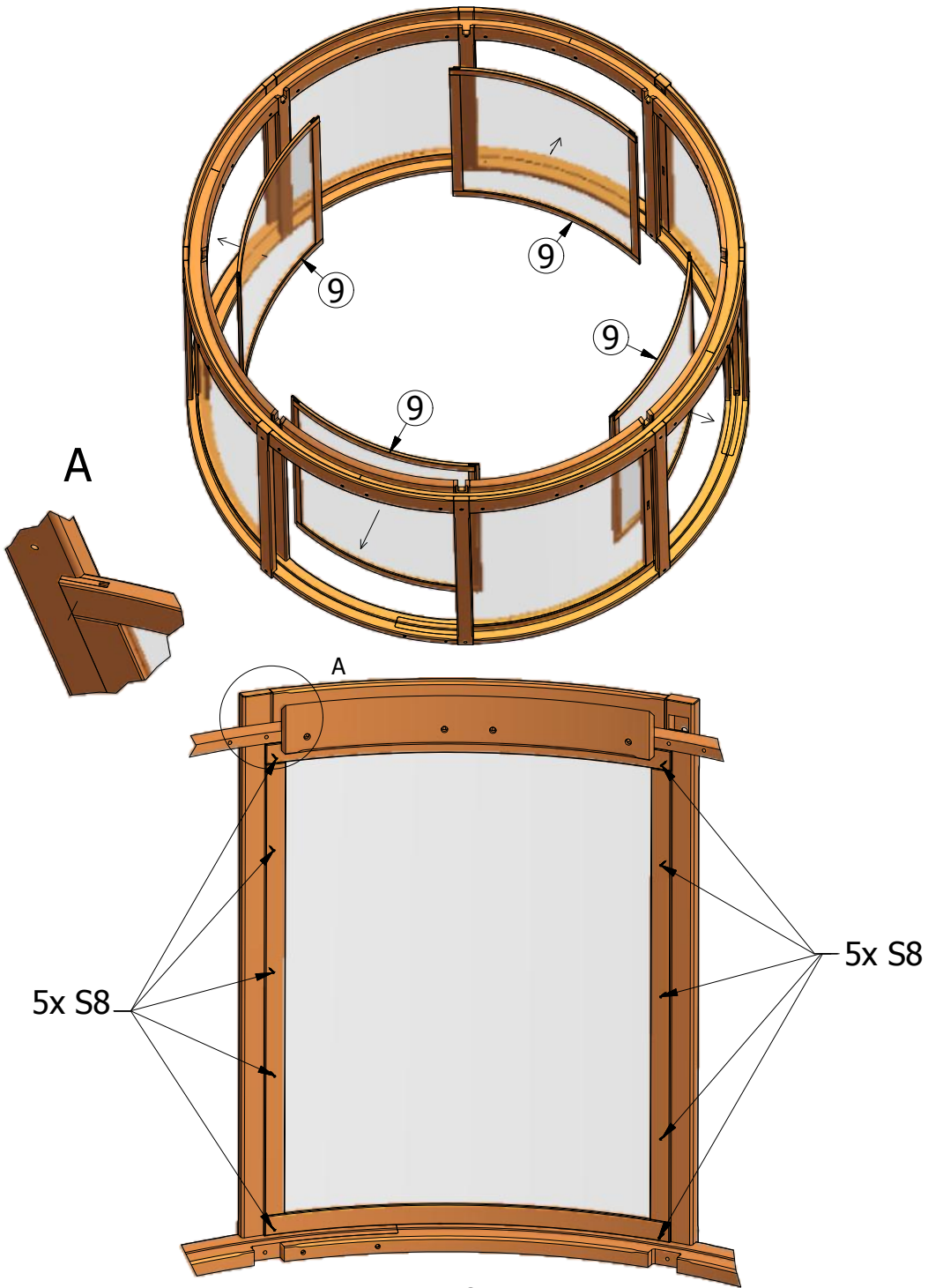




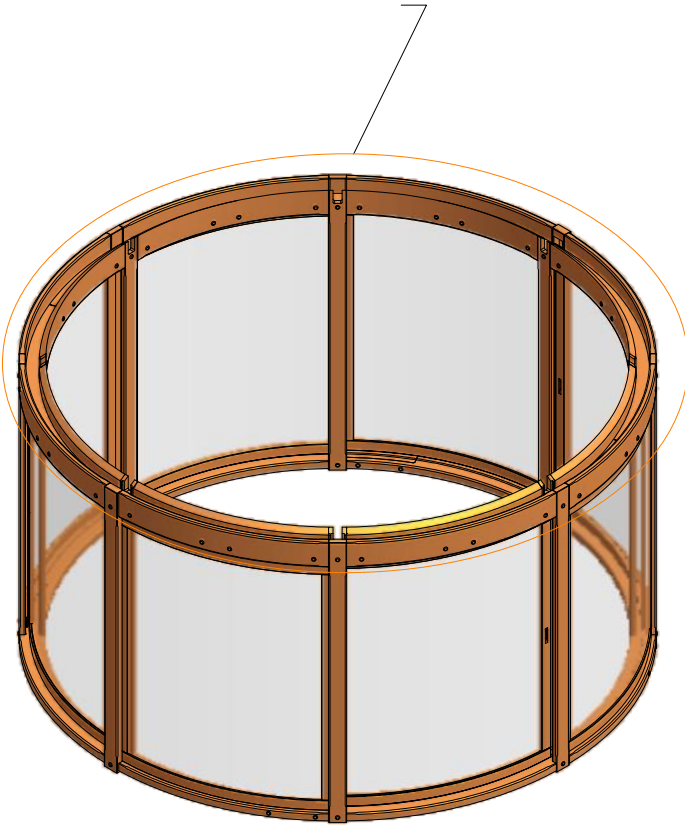


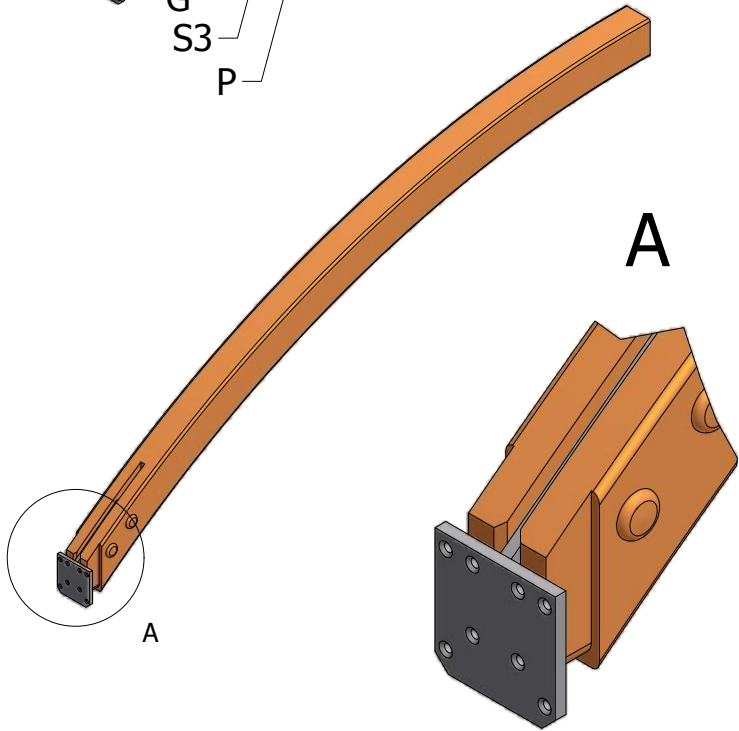
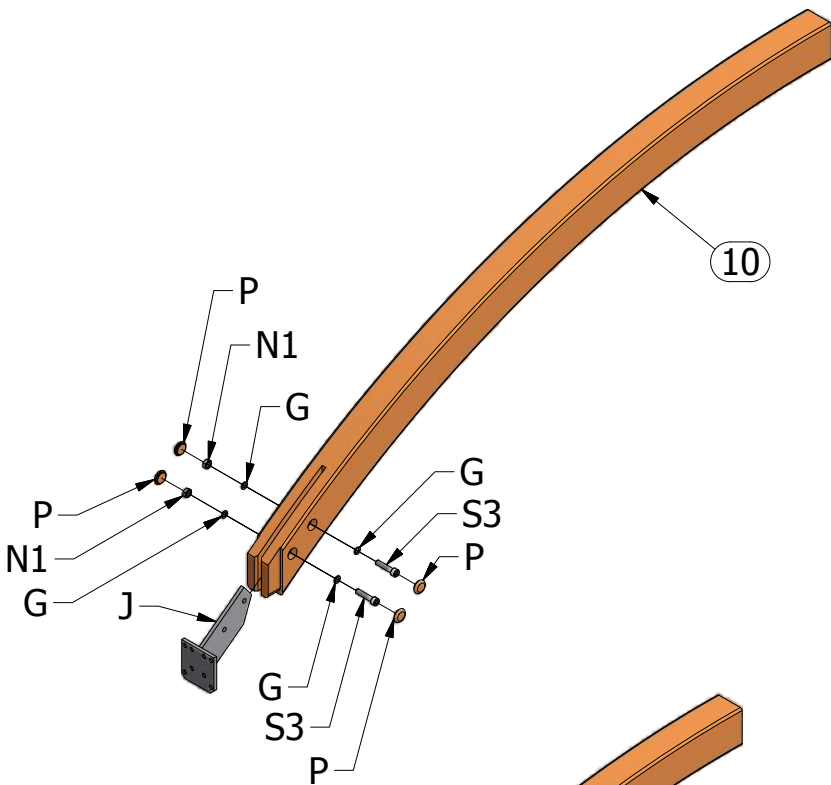
CAUTION!  
DO NOT TIGHTEN  
THE BOLTS

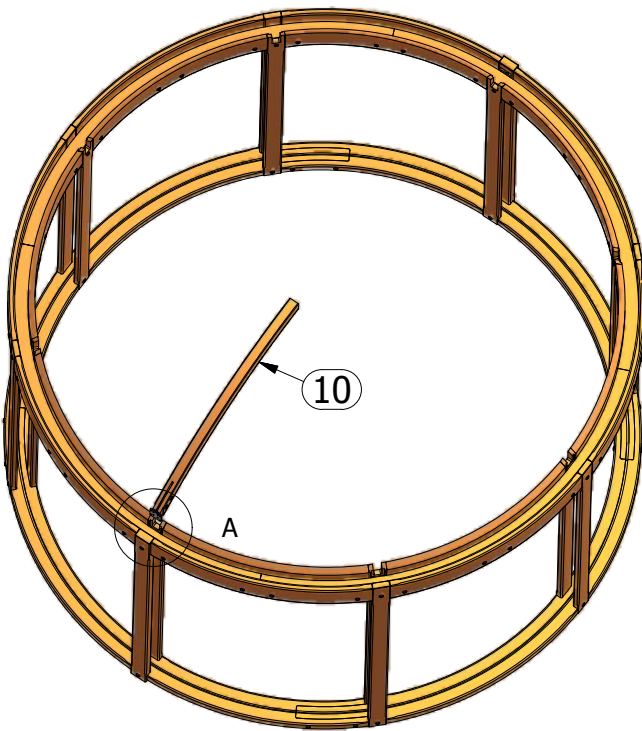




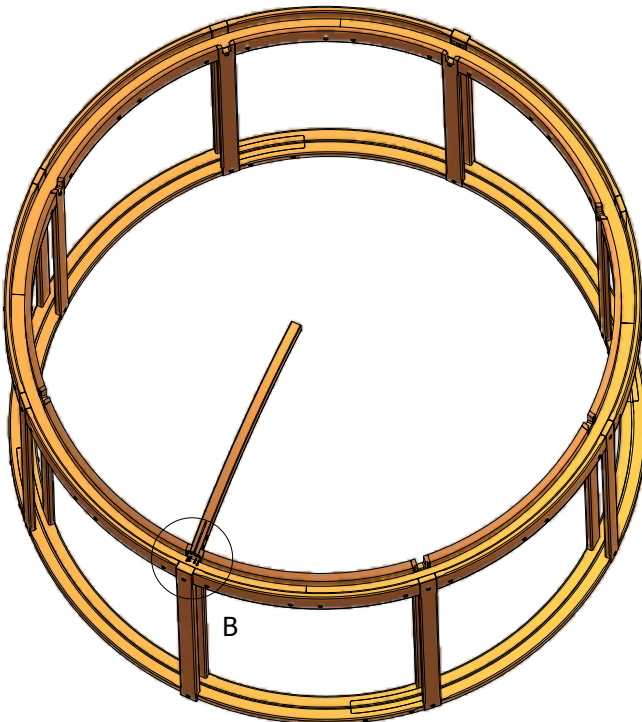
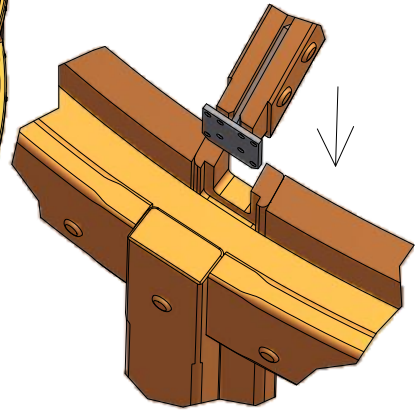
STRETCH MOUNTING BELT,  
TIGHTEN BOLTS



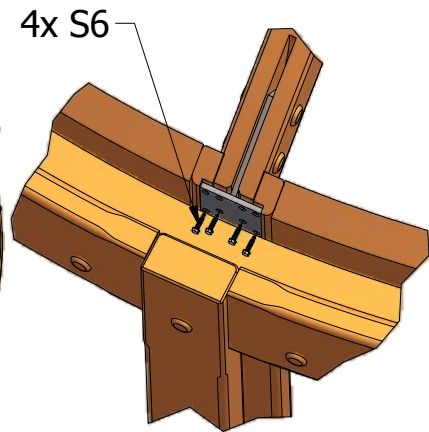


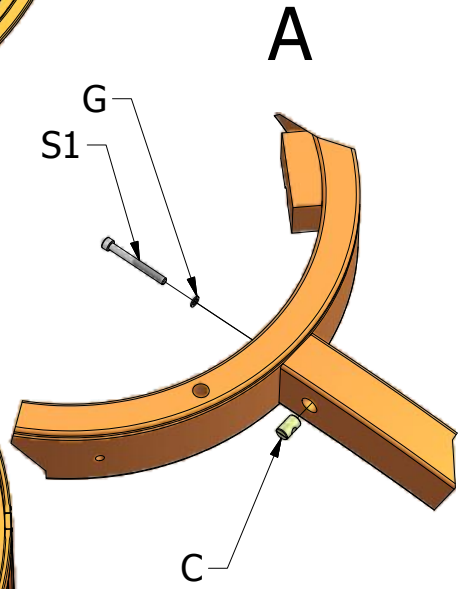
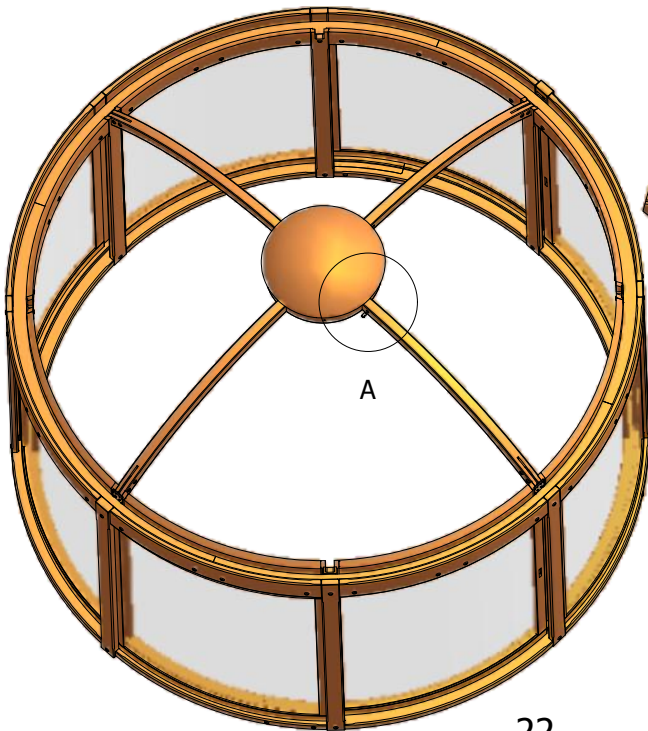


A

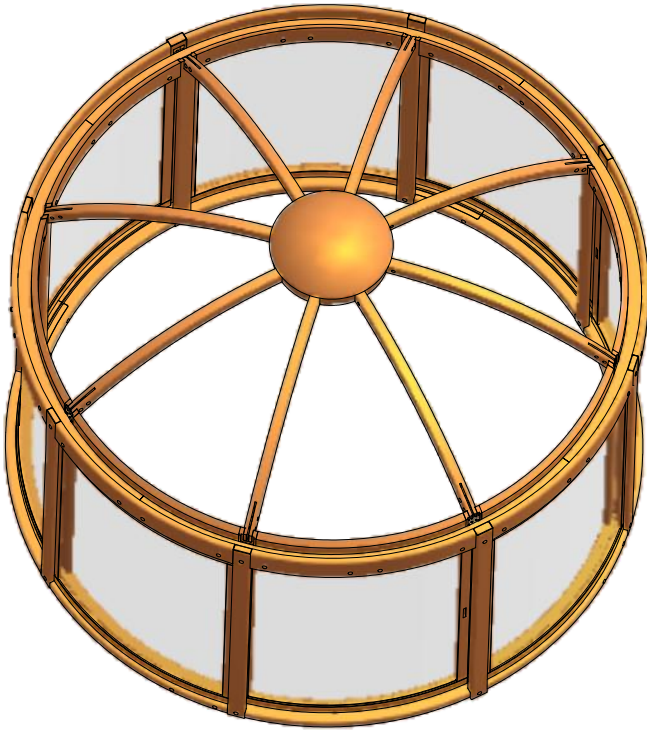


B

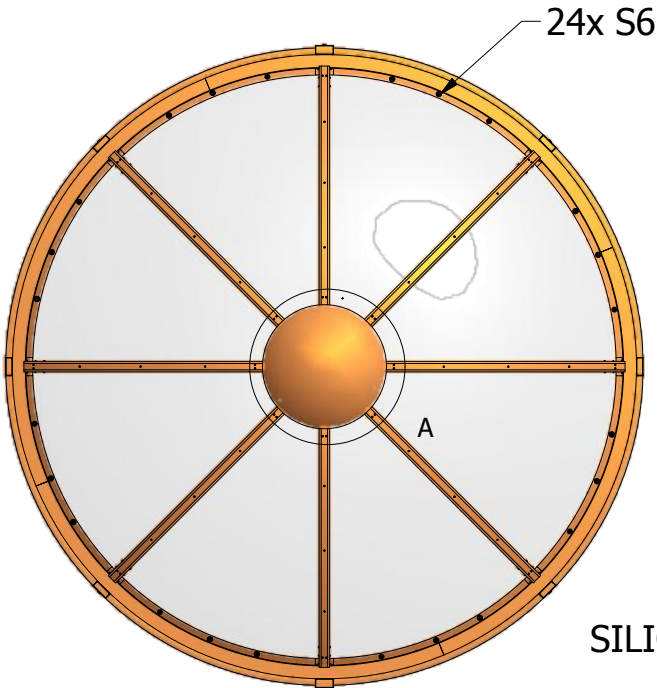
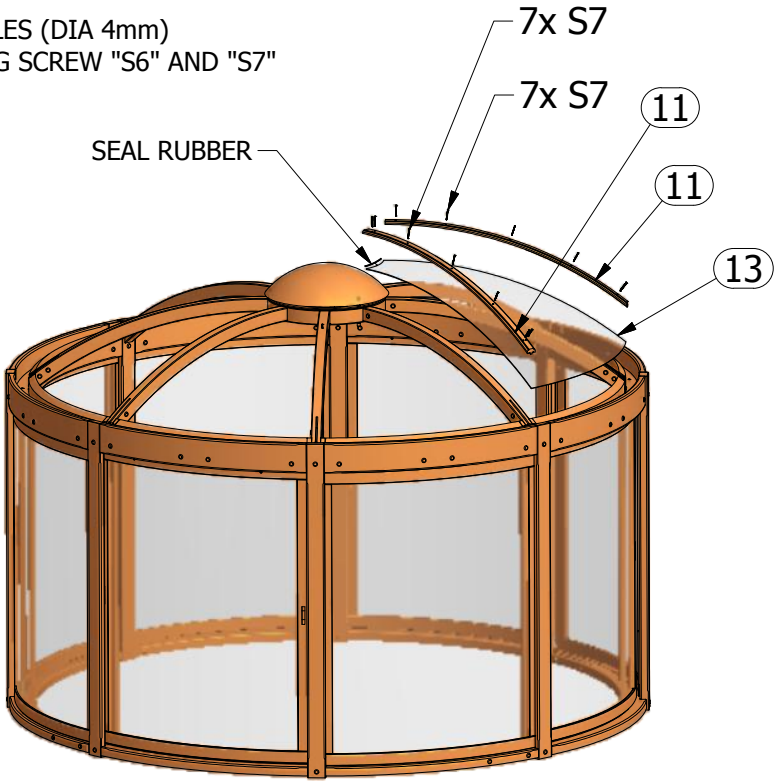




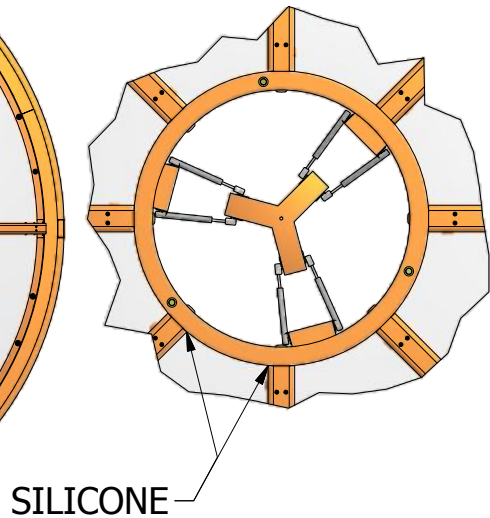




CAUTION!  
DRILL THE HOLES (DIA 4mm)  
FOR MOUNTING SCREW "S6" AND "S7"

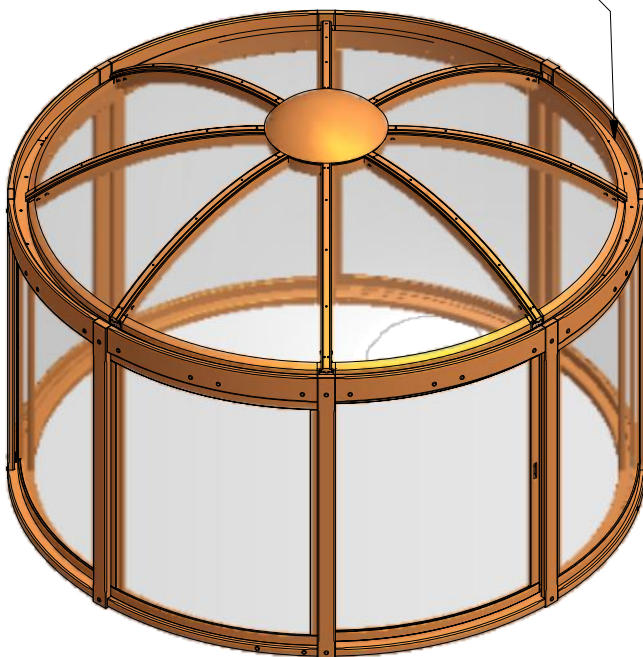


A ( 1 : 20 )





FILL GUTTER USING  
RUBBER BAND



BLIND THE MOUNTING  
HOLES (PLUG "P")